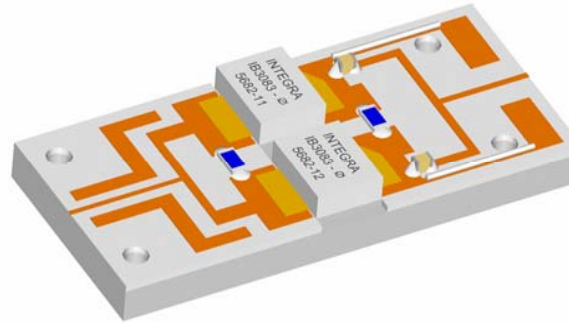


S-Band Radar Pallet Amplifier

Part number IBP3135M150 is a 50 Ω matched high power pulsed radar pallet amplifier for S-Band radar systems operating over the instantaneous bandwidth of 3.1-3.5 GHz. The pallet amplifier supplies a minimum of 150 watts of peak pulse power under the conditions of 100µs pulse width and 10% duty cycle. All devices are 100% screened for large signal RF parameters.



- Silicon Bipolar Technology
 - Ultra-high f_T
- Class C Operation
 - High Efficiency
- Common Base Configuration
 - Single Power Supply
- Gold Metal
 - Maximum Reliability
- Emitter Ballasting
 - Optimum Thermal Distribution
- Impedance Matched to 50Ω
 - Ease of Use
- Pallet Carrier
 - Soft PC Board
 - Ni Plated Cu Carrier
- BeO Based Transistor Package
 - Unmatched Thermal Reliability
- US Patent Number
 - 6181200B1

TYPICAL DATA TYPICAL DATA TYPICAL DATA TYPICAL DATA

Device	Freq (GHz)	V _{CC} (V)	P _{IN} (W)	IRL (dB)	P _{OUT} (W)	G _P (dB)	I _C (A)	N _C (%)	Droop (dB)	VSWR 1.5:1	OD-S
D1981-4	3.10	36	27.0	-14.0	241	9.56	12.4	54.0	-0.1	s	s
	3.25	36	27.0	-13.5	228	9.34	12.3	51.5	-0.1	s	s
	3.40	36	27.0	-15.0	186	8.47	10.8	47.9	-0.1	s	s

NOTES: Pulse Format = 100us, 10%

OD-S = Stability with 1dB overdrive

MAXIMUM RATINGS

Screen	Parameter	Symbol	Min	Max	Units	Test Conditions
BD	Collector-Emitter Voltage	V_{CES}	--	70	V	$V_{BE}=0V$.
BD	Emitter-Base Voltage	V_{EBO}	--	3.5	V	--
BD	Collector Current, Peak	I_C	--	23.2	A	$PW=PW1, DF=DF1$.
BD	Continuous Power Dissipation, Peak	P_D	--	712	W	$PW=PW1, DF=DF1, T_F=25^{\circ}C$.
BD	Storage Temperature Range	T_{STG}	-20	+125	$^{\circ}C$	--
BD	Operating Junction Temperature Range	T_J	-20	+200	$^{\circ}C$	--
Note	Screen 'BD' = parameter qualified By Design.					

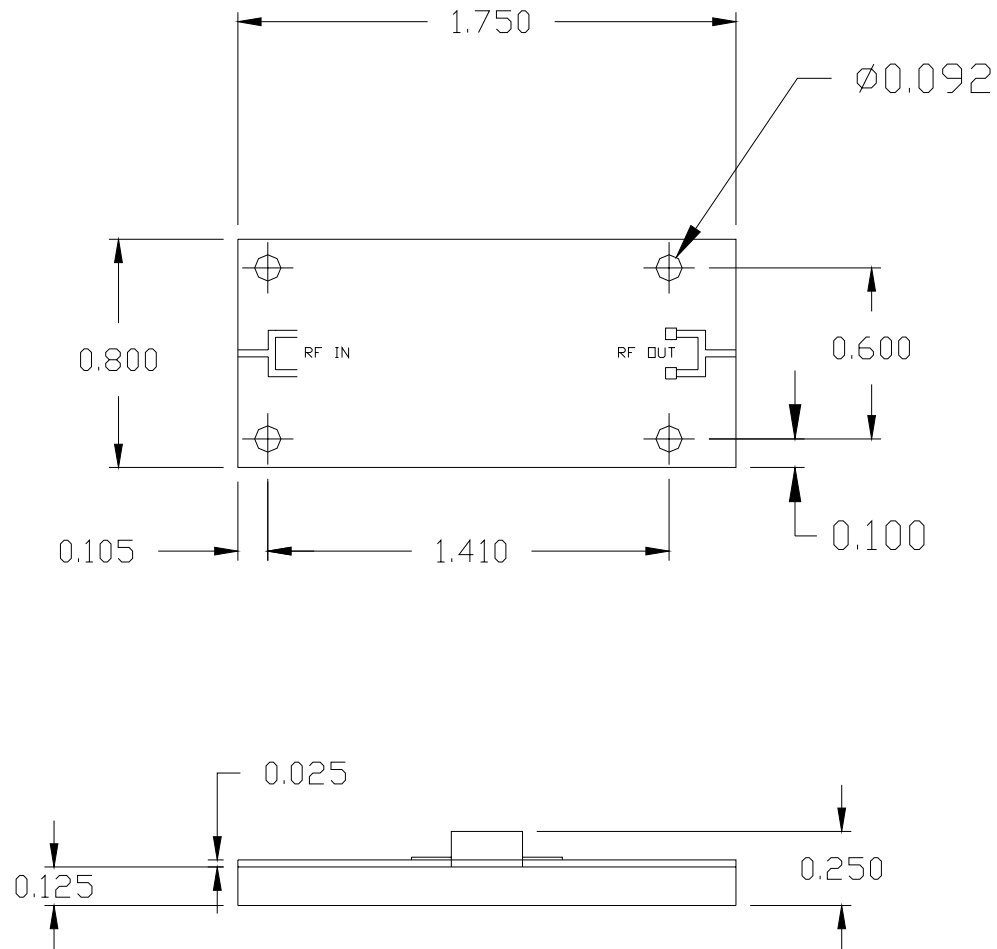
THERMAL CHARACTERISTICS

Screen	Parameter	Symbol	Min	Max	Units	Test Conditions
BD	Thermal Resistance per Device	$R_{TH(JC)}$	--	0.45	$^{\circ}C/W$	$V_{CC}=V1, PW=PW1, DF=DF1, T_F=25\pm 5^{\circ}C, P_{OUT}= 150W$. Per transistor.
Note	Screen 'BD' = parameter qualified By Design.					

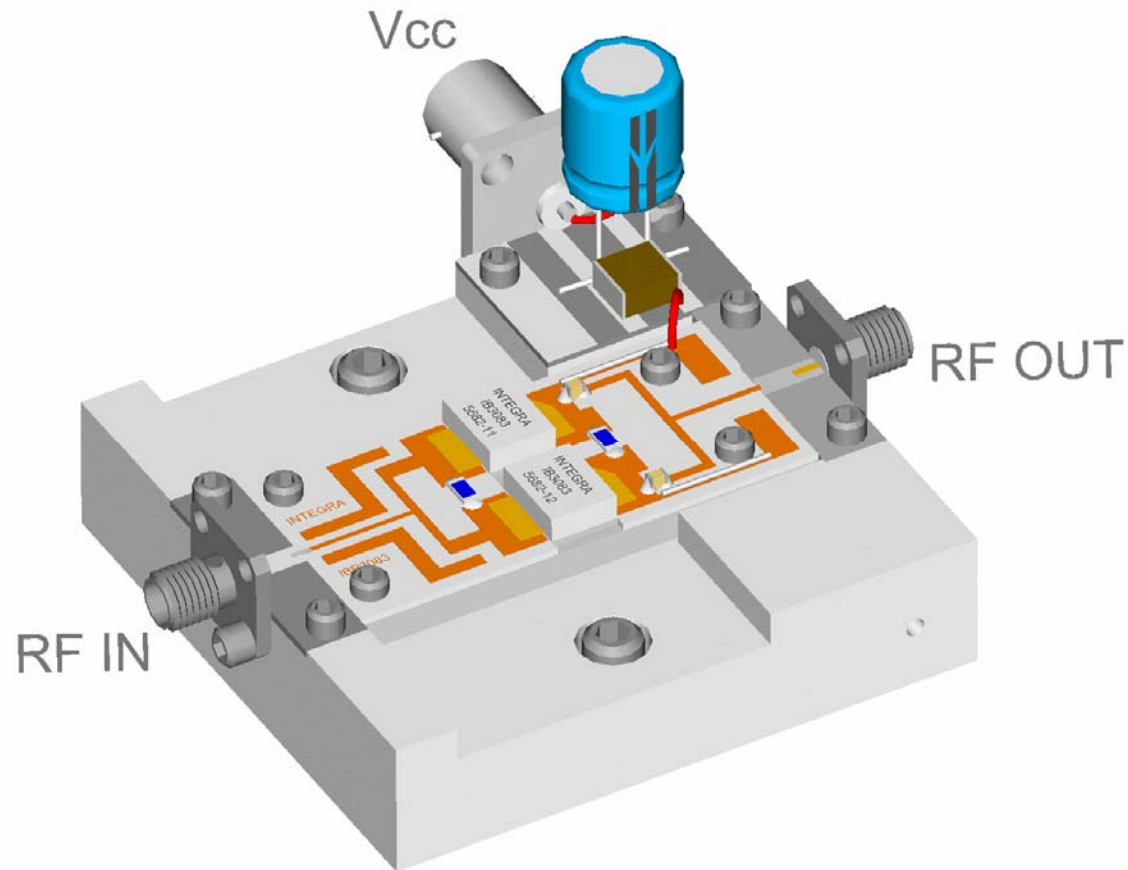
RF ELECTRICAL CHARACTERISTICS

Screen	Parameter	Symbol	Min	Max	Units	Test Conditions
100%	Input Return Loss	IRL	8	--	dB	$V_{CC}=V1, PW=PW1, DF=DF1, T_F=25\pm5^\circ C, P_{IN}=27W, F=F1, F2, F3.$
100%	Input Power	P_O	150	--	W	$V_{CC}=V1, PW=PW1, DF=DF1, T_F=25\pm5^\circ C, P_{IN}=27W, F=F1, F2, F3.$
100%	Power Gain	G_P	7.45	--	dB	$V_{CC}=V1, PW=PW1, DF=DF1, T_F=25\pm5^\circ C, P_{IN}=27W, F=F1, F2, F3.$
100%	Collector Efficiency ($P_O/I_C/V_{CC}$)	N_C	35	--	%	$V_{CC}=V1, PW=PW1, DF=DF1, T_F=25\pm5^\circ C, P_{IN}=27W, F=F1, F2, F3.$
100%	Pulse Amplitude Droop	D	--	1.0	dB	$V_{CC}=V1, PW=PW1, DF=DF1, T_F=25\pm5^\circ C, P_{IN}=27W, F=F1, F2, F3.$
100%	Gain Flatness	GF	--	1.5	dB	Calculate from min/max gains at frequencies F1, F2 and F3.
100%	Delta Insertion Phase Variation	d-IP	-20	+20	Deg	$V_{CC}=V1, PW=PW1, DF=DF1, T_F=25\pm5^\circ C, P_{IN}=27W, F=F3.$
100%	Stability into 1.5:1 VSWR	VSWR-S	--	--	--	$V_{CC}=V1, PW=PW1, DF=DF1, T_F=25\pm5^\circ C, P_{IN}=27W, F=F1, F2, F3.$ Rotate 1.5:1 output VSWR through 360° phase. No oscillatory or pulse break-up characteristics allowed on detected output pulse. All non-harmonically related signals must be at least -50 dBc.
100%	Stability with + 1dB Input Power Overdrive	OD-S	--	--	--	$V_{CC}=V1, PW=PW1, DF=DF1, T_F=25\pm5^\circ C, P_{IN}=34W, F=F1, F2, F3.$ No oscillatory or pulse break-up characteristics allowed on detected output pulse.
Note	$V1 = 36V; PW1 = 100\mu s; DF1 = 10\%; F1 = 3.10 \text{ GHz}, F2 = 3.30 \text{ GHz}, F3 = 3.50 \text{ GHz}.$					
Note	$T_F =$ Device flange temperature.					
Note	Screen 'BD' = parameter qualified By Design.					

PALLET DIMENSIONAL OUTLINE DRAWING



50Ω RF TEST FIXTURE



HEATSINK NOT SHOWN
DRAWINGS AVAILABLE UPON REQUEST

DEFINITIONS

Data Sheet Status	
Proposed Specification	This data sheet contains proposed specifications.
Preliminary Specification	This data sheet contains specifications based on preliminary measurements and data.
Product Specification	This data sheet contains final product specifications.
Maximum Ratings	
Stress above one or more of the maximum ratings may cause permanent damage to the device. These are maximum ratings only and operation of the device at these or at any other conditions above those given in the characteristics sections of the specification is not implied. Exposure to maximum values for extended periods of time may affect device reliability.	

WARNING

Product and environmental safety - toxic materials
This product contains beryllium oxide. The product is entirely safe provided that the BeO base is not damaged. All persons who handle, use or dispose of this product should be aware of its nature and of the necessary safety precautions. After use, dispose of as chemical or special waste according to the regulations applying at the location of the user. It must never be thrown out with general or domestic waste.

DISCLAIMER

Integra Technologies Inc. makes no warranty, representation or guarantee regarding the suitability of its products for any particular purpose, nor does Integra Technologies Inc. assume any liability arising out of the application or use of any product or circuit, and specifically disclaims any and all liability, including without limitation consequential or incidental damages. Integra Technologies Inc. products are not designed for use in life support appliances, devices, or systems where malfunction of these products can reasonably be expected to result in personal injury. Integra Technologies Inc. customers using or selling these products for use in such applications do so at their own risk and agree to fully indemnify Integra Technologies Inc. for any damages resulting from such improper use or sale.
--