

Part Number: **ILD1011M300 (Preliminary)**

Integra

TECHNOLOGIES, INC.

Avionics Band RF Power LDMOS FET

The high power transistor part number ILD1011M300 is designed for Avionics systems operating at 1030-1090 MHz. Operating at 50 μ s, 2% pulse conditions this LDMOS FET device supplies a minimum of 300 watts of power across the instantaneous operating bandwidth of 1030-1090 MHz. All devices are 100% screened for large signal RF parameters.



Silicon LDMOS FET

- High Power Gain
- Superior thermal stability

Class AB Operation

- Gate biased to $I_{DQ} = 20$ mA

Configuration

- Common Source

Gold Metal

- Maximum Reliability

Package

- Thermally enhanced
- Pb-free and RoHS-compliant

Epoxy Sealed Lid

- Gross Leak Qualified

RF Test Fixture

- Broadband
- Matched to 50 ohms
- Long-term Correlation
- 100% Device RF Screening
- No External Tuning required

PRELIMINARY DATA

PRELIMINARY DATA

PRELIMINARY DATA

Devices	Freq (MHz)	V _{DD} (V)	P _{IN} (W)	IRL (dB)	P _{OUT} (W)	Gain (dB)	I _{PK} (A)	n _d (%)	n' _d (%)	Droop (dB)
D4148-2	1090	32	10	12	318	15.02	21.55	46.1	48.4	0

Pulse format = 50 μ s, 2%, $I_{DQ} = 20$ mA

n_d= Drain efficiency (including bias current)

n'_d= Drain efficiency (excluding bias current)

MAXIMUM RATINGS

Screen	Parameter	Symbol	Min	Max	Units	Test Conditions
BD	Drain-Source Voltage	V_{DS}	--	70	V	--
BD	Gate-Source Voltage	V_{GS}	--	20	V	--
BD	Storage Temperature Range	T_{STG}	-55	+200	°C	--
BD	Operating Junction Temperature Range	T_J	-55	+200	°C	--
Note	Screen 'BD' = parameter qualified By Design.					

THERMAL CHARACTERISTICS

Screen	Parameter	Symbol	Min	Max	Units	Test Conditions
BD	Thermal Resistance	$R_{TH(JC)}$	--	TBD	°C/W	$V_D=32V, I_{DQ}=20mA, T_F=25\pm 5^\circ C, P_{OUT}=300W$
Note	Screen 'BD' = parameter qualified By Design.					

PROCESSING SPECIFICATIONS

Screen	Parameter	Symbol	Min	Max	Units	Test Conditions
100%	DC Wafer Probe	--	--	--	--	Per Integra specification.
Q1	Wafer DC and RF Qualification	--	--	--	--	Per Integra specification.
LM	Wire Bond Strength	--	--	--	--	Line monitor per Integra specification.
100%	Pre-cap visual inspection	--	--	--	--	Per Integra specification
100%	Gross leak test	--	--	--	--	MIL-STD-750D, Method 1071, Test Condition C
Note	Screen 'Q1' = parameter is qualified by assembly and test of 3 pieces minimum per wafer.					
Note	Screen 'LM' = parameter is qualified by assembly line monitor.					

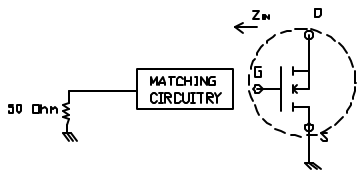
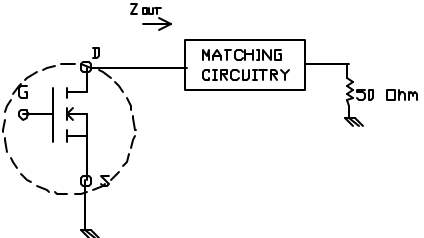
DC ELECTRICAL CHARACTERISTICS

Screen	Parameter	Symbol	Min	Max	Units	Test Conditions
100%	Drain-Source Breakdown Voltage	BV_{DSS}	70		V	$I_D=20mA, V_{GS}=0V, T_F=25\pm 5^\circ C$
100%	Drain Leakage Current	I_{DSS}		10	μA	$V_{DS}=32V, V_{GS}=0V, T_F=25\pm 5^\circ C$
100%	Gate Threshold Voltage	V_{GSTH2}	2.5		V	$I_D=20mA, T_F=25\pm 5^\circ C$

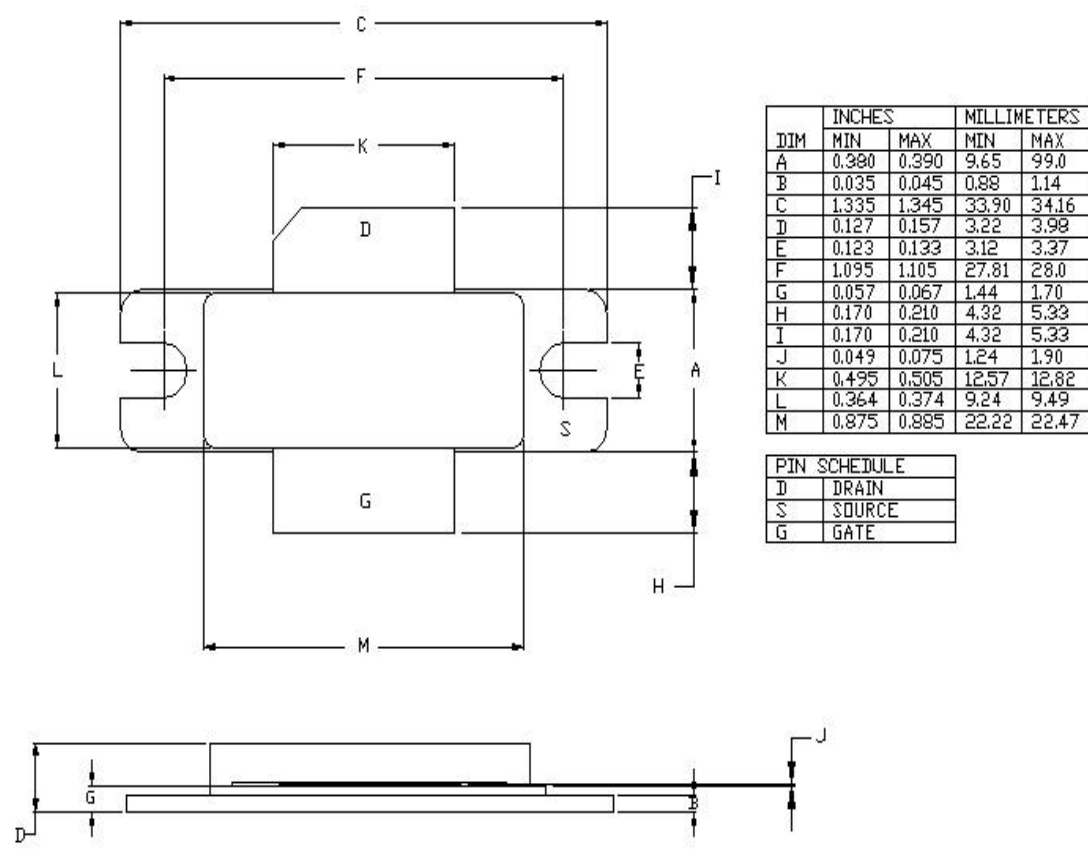
RF ELECTRICAL CHARACTERISTICS

Screen	Parameter	Symbol	Min	Max	Units	Test Conditions
100%	Input Return Loss	IRL	10		dB	$V_{DD}=32V, P_{IN}=10W, \text{Pulse}=50\mu s, 2\%, T_F=25\pm 5^\circ C, F=F1, bQ=20mA.$
100%	Maximum Overdrive	$P_{IN(MAX)}$		14	W	$V_{DD}=32V, \text{Pulse}=50\mu s, 2\%, T_F=25\pm 5^\circ C, F=F1, bQ=20mA.$
100%	Power Gain	G_P	14.77	16.27	dB	$V_{DD}=32V, P_{IN}=10W, \text{Pulse}=50\mu s, 2\%, T_F=25\pm 5^\circ C, F=F1, bQ=20mA.$
100%	Drain Efficiency ($P_o/I_b/V_{DD}$)	η_d	42		%	$V_{DD}=32V, P_{IN}=10W, \text{Pulse}=50\mu s, 2\%, T_F=25\pm 5^\circ C, F=F1, bQ=20mA.$
100%	Pulse Amplitude Droop	D		-0.1	dB	$V_{DD}=32V, P_{IN}=10W, \text{Pulse}=50\mu s, 2\%, T_F=25\pm 5^\circ C, F=F1, bQ=20mA.$
100%	Stability into 1.5:1 VSWR	VSWR-S			--	$V_{DD}=32V, P_{IN}=10W, \text{Pulse}=50\mu s, 2\%, T_F=25\pm 5^\circ C, F=F1, bQ=20mA.$ Rotate 1.5:1 output VSWR through 360° phase. No oscillatory or pulse break-up characteristics allowed on detected output pulse.
100%	Load Mismatch Tolerance	LMT		20:1	--	$V_{DD}=32V, P_{IN}=10W, \text{Pulse}=50\mu s, 2\%, T_F=25\pm 5^\circ C, F=F1, bQ=20mA.$ Rotate 20:1 output VSWR through 360° phase. Survival.
BD	Pulse Risetime	RT		60	ns	$V_{DD}=32V, P_{IN}=10W, \text{Pulse}=50\mu s, 2\%, T_F=25\pm 5^\circ C, F=F1, bQ=20mA.$ Measure between 10% and 90% detected power points.
Note 1	F1 = 1030/1090 MHz.					
Note 2	Pulse format = 50µs, 2%					
Note 3	T _F = Device flange temperature.					
Note 4	Screen 'BD' = parameter qualified By Design.					

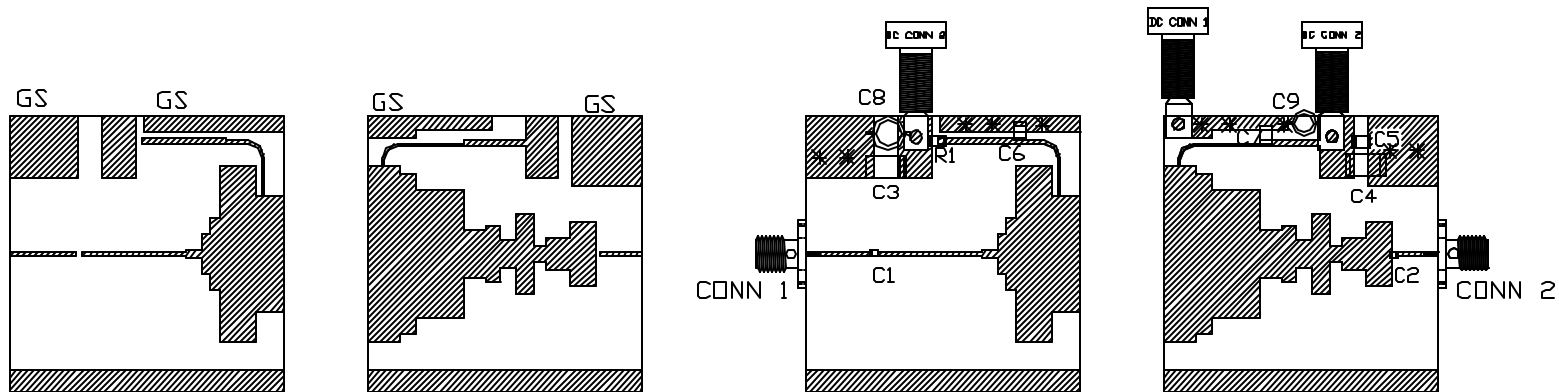
RF TEST FIXTURE IMPEDANCE CHARACTERISTICS

Frequency (MHz)	$Z_F (W)$	$Z_{OF} (W)$
1030		
1090	0.58-j0.58	0.79-j0.96
Impedance Definition		

PACKAGE DIMENSIONAL OUTLINE DRAWING

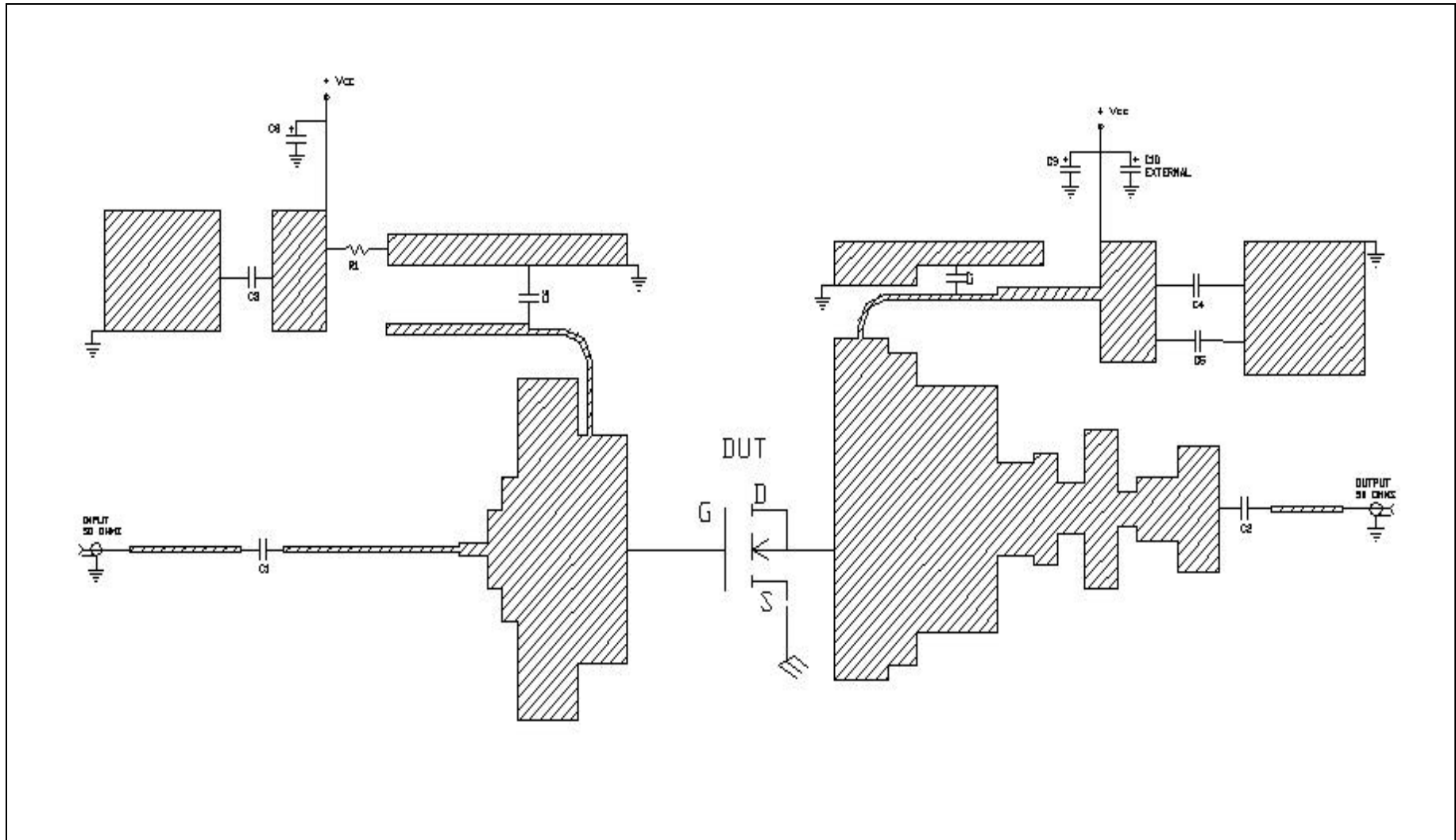


RF TEST FIXTURE – ASSEMBLY AND PARTS LIST



COMPONENT	DESCRIPTION
OUT	TRANSISTOR #IL1001M300, MOUNT HARD TO THE RIGHT
PC BOARD	ROGERS #RD 3010 (0.2, 0.25, 1oz, Cu)
C1, C2	CHIP CAPACITOR ATC100A-39 0F
C3, C4	TANTALUM - AVX 4.7uF, 50V ESR = 0.3ohms
C5	CERAMIC CHIP CAPACITOR ATC100B - 1000 pF 250V
C6, C7	CERAMIC CHIP CAPACITOR ATC100B - 47 pF
C8, C9	ELECTROLYTIC CAPACITOR 48uF / 50V
C10 (NOT SHOWN)	STORAGE CAPACITOR CORNELL DUBILIER ALUMINUM FLAT PACK "MLP" SERIES OR SIMILAR FOR STORAGE CAPACITOR
R1	RESISTOR 1206 - 300 ohms
GS (10 PLACES)	GROUND SHIM, COPPER, TH=0.001"
CONN 1, CONN 2	SMA CONNECTOR, DS #F058-5036-0P
INPUT PC BOARD CARRIER	2 INCH BRASS-07 (210)
OUTPUT PC BOARD CARRIER	2 INCH BRASS-07 (210)
TRANSISTOR CARRIER	2 INCH COPPER - (P22)
TRANSISTOR CLAMP	NURYL CLAMP-08
ALUMINUM HEATSINK	2 INCH HEAT SINK-11
DC CONN 1	BANANA JACK, BLACK 1 PLACE (GROUND)
DC CONN 2	BANANA JACK, RED 2 PLACES
NOTE	FIXTURE HARDWARE DRAWINGS AVAILABLE ON REQUEST

RF TEST FIXTURE – ELECTRICAL SCHEMATIC



DEFINITIONS

Data Sheet Status	
Proposed Specification	This data sheet contains proposed specifications.
Preliminary Specification	This data sheet contains specifications based on preliminary measurements and data.
Product Specification	This data sheet contains final product specifications.
Maximum Ratings	
Stress above one or more of the maximum ratings may cause permanent damage to the device. These are maximum ratings only. Operation of the device at these or at any other conditions above those given in the characteristics sections of the specification is not implied. Exposure to maximum values for extended periods of time may affect device reliability.	

WARNING

Product and environmental safety - toxic materials
This product contains beryllium oxide. The product is entirely safe provided that the BeO base is not damaged. All persons who handle, use or dispose of this product should be aware of its nature and of the necessary safety precautions. After use, dispose of as chemical or special waste according to the regulations applying at the location of the user. It must never be thrown out with general or domestic waste.

DISCLAIMER

Integra Technologies Inc. reserves the right to make changes without further notice to any products herein. Integra Technologies Inc. makes no warranty, representation or guarantee regarding the suitability of its products for any particular purpose, nor does Integra Technologies Inc. assume any liability arising out of the application or use of any product or circuit, and specifically disclaims any and all liability, including without limitation consequential or incidental damages. Integra Technologies Inc. products are not designed for use in life support appliances, devices, or systems where malfunction of these products can reasonably be expected to result in personal injury. Integra Technologies Inc. customers using or selling these products for use in such applications do so at their own risk and agree to fully indemnify Integra Technologies Inc. for any damages resulting from such improper use or sale.
--